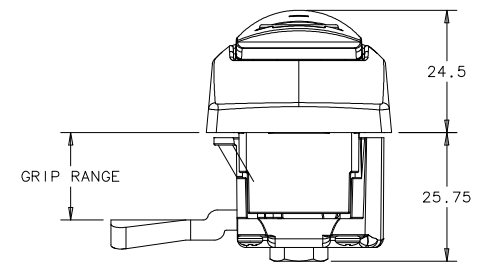
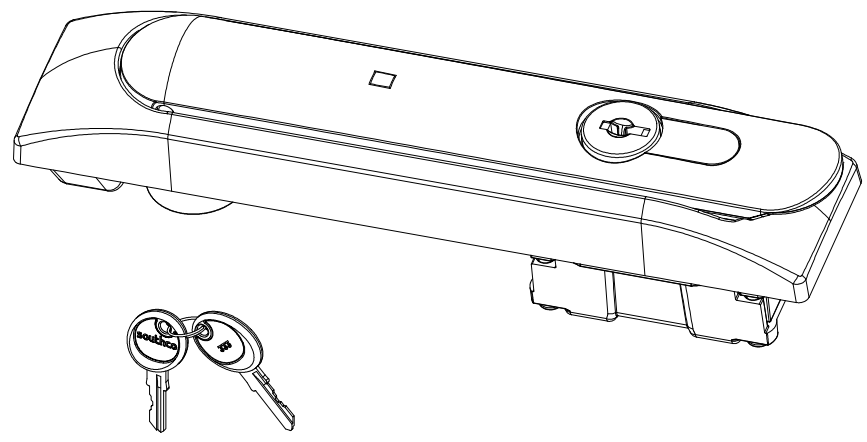
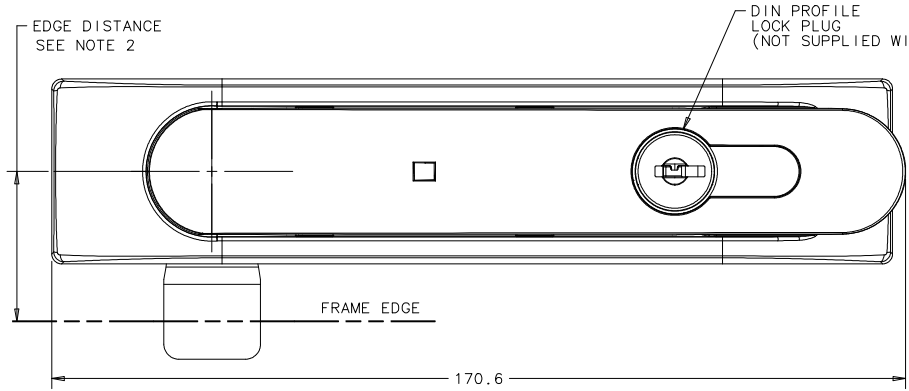
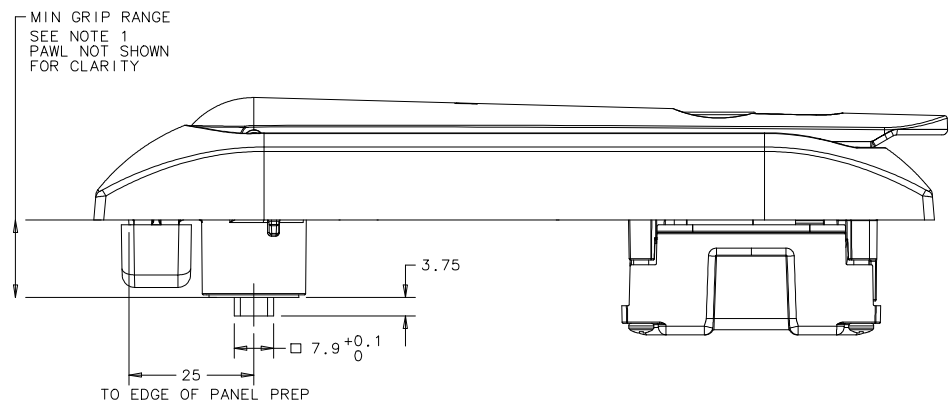
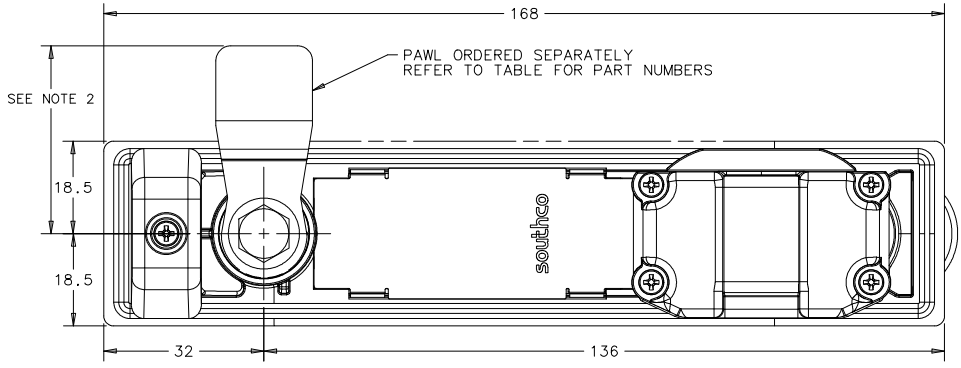
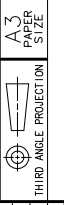


REV	DATE	DRAWN/CHKD	DESCRIPTION	PART NUMBER	MATERIAL	FINISH	LOCK PLUG	KEY REMOVAL POSITION
C	24JAN2013	CMS/KH	PRN: P2013-0225	H3-66-500-071	TABLE SHEET 3	TABLE SHEET 3	N/A	N/A
D	06NOV2014	CMS/KH	PRN: P2014-2206	H3-66-521-071	TABLE SHEET 3	TABLE SHEET 3	CH 751 (2 KEYS SUPPLIED)	AT LOCKED AND UNLOCKED
E	20APR2016	CMS/LOR	PRN: P2016-0850	H3-66-522-071	TABLE SHEET 3	TABLE SHEET 3	CH 300 (2 KEYS SUPPLIED)	AT LOCKED AND UNLOCKED
F	17AUG2016	CMS/WG	PRN: P2016-1905	H3-66-523-071	TABLE SHEET 3	TABLE SHEET 3	CH 333 (2 KEYS SUPPLIED)	AT LOCKED AND UNLOCKED
G	14SEP2016	CMS/RO	PRN: P2016-2103	H3-66-577-071	TABLE SHEET 3	TABLE SHEET 3	8MM TRIANGLE	N/A
H	21FEB2017	CMS/RO	PRN: P2017-0413	H3-66-570-071	TABLE SHEET 3	TABLE SHEET 3	3mm DOUBLE BIT	N/A
I	22MAR2017	CMS/MGG	PRN: P2017-0678	H3-66-571-071	TABLE SHEET 3	TABLE SHEET 3	5mm DOUBLE BIT	N/A
J	12AUG2017	CMS/KH	PRN: P2017-1922	H3-66-572-071	TABLE SHEET 3	TABLE SHEET 3	BELL CORE 216	N/A
K	26FEB2018	CMS/MSR	PRN: P2018-0497	H3-66-573-071	TABLE SHEET 3	TABLE SHEET 3	BELLCORE HEX-PIN RECESS	N/A

MILLIMETERS
ALL DIMENSIONS WITHOUT TOLERANCES ARE FOR REFERENCE ONLY.

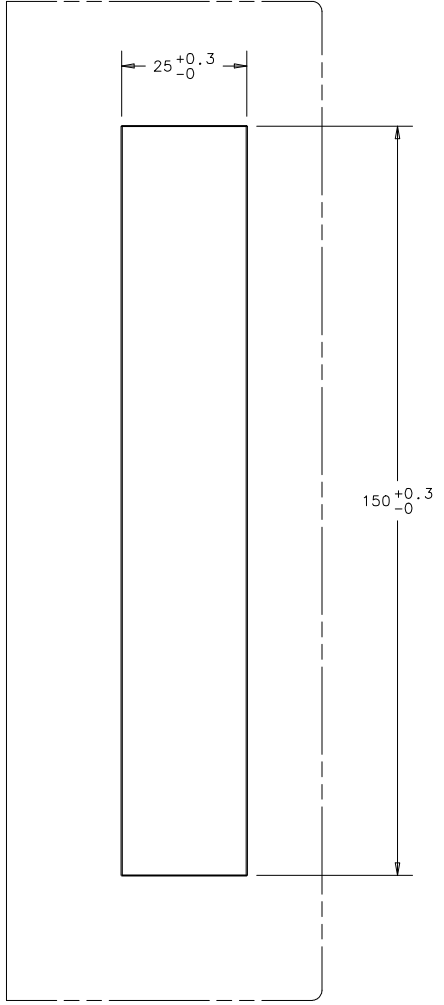


- NOTES:**
- MIN GRIP RANGE WITH FLAT PAWL 15.5mm.
 - FOR PAWL LENGTH 38mm EDGE DISTANCE 30mm.
FOR PAWL LENGTH 45mm EDGE DISTANCE 37mm.
 - SELECT PAWL PART NUMBER ACCORDING TO TABLE TO PROVIDE GRIP REQUIRED:

GRIP	PART NO. (LENGTH = 38mm)	PART NO. (LENGTH = 45mm)
15.5	E5-6710	E5-6110
17.5	E5-6711	E5-6111
19.5	E5-6712	E5-6112
21.5	E5-6713	E5-6113
23.5	E5-6714	E5-6114
25.5		E5-6115
27.5		E5-6116
29.5		E5-6117
31.5		E5-6118
33.5		E5-6119
35.5		E5-6120
37.5		E5-6121
39.5		E5-6122

REV	DATE	DRAWN/CHKD	DESCRIPTION	PART NUMBER	MATERIAL	FINISH	LOCKPLUG	NO. LOCK PLUG	KEY REMOVAL POSITION
C	24JAN2013	CMS/KH	PRN: P2013-0225	H3-66-500-071	TABLE SHEET 3	TABLE SHEET 3	N/A	N/A	N/A
D	06NOV2014	CMS/KH	PRN: P2014-2206	H3-66-521-071	TABLE SHEET 3	TABLE SHEET 3	CH 751 (2 KEYS SUPPLIED)	AT LOCKED AND UNLOCKED	AT LOCKED AND UNLOCKED
E	20APR2016	CMS/LOR	PRN: P2016-0850	H3-66-522-071	TABLE SHEET 3	TABLE SHEET 3	CH 300 (2 KEYS SUPPLIED)	AT LOCKED AND UNLOCKED	AT LOCKED AND UNLOCKED
F	17AUG2016	CMS/WG	PRN: P2016-1905	H3-66-523-071	TABLE SHEET 3	TABLE SHEET 3	CH 333 (2 KEYS SUPPLIED)	AT LOCKED AND UNLOCKED	AT LOCKED AND UNLOCKED
G	14SEP2016	CMS/RO	PRN: P2016-2103	H3-66-577-071	TABLE SHEET 3	TABLE SHEET 3	8MM TRIANGLE	N/A	N/A
H	21FEB2017	CMS/RO	PRN: P2017-0413	H3-66-570-071	TABLE SHEET 3	TABLE SHEET 3	3mm DOUBLE BIT	N/A	N/A
I	22MAR2017	CMS/MGG	PRN: P2017-0678	H3-66-571-071	TABLE SHEET 3	TABLE SHEET 3	5mm DOUBLE BIT	N/A	N/A
J	12AUG2017	CMS/KH	PRN: P2017-1922	H3-66-572-071	TABLE SHEET 3	TABLE SHEET 3	BELL CORE 216	N/A	N/A
K	26FEB2018	CMS/MSR	PRN: P2018-0497	H3-66-573-071	TABLE SHEET 3	TABLE SHEET 3	BELL CORE HEX-PIN RECESS	N/A	N/A

COMPONENT	MATERIAL	FINISH	NOTE
LATCH BODY	30% GF NYLON (UL94-V0)	BLACK (A&B SURFACES VD136)	
HANDLE MOLDING	30% GF NYLON (UL94-V0)	BLACK (A&B SURFACES VD136)	
BLANKING COVER-KEEPER	PC ABS (UL94-V0)	BLACK POLISHED	
LIGHT PIPE/BLANKING PLUG	PC ABS	BLACK (A SURFACE VD136)	
BOTTOM MOUNTING BRACKET	30% GF NYLON (UL94-V0)	BLACK	
HANDLE SHAFT	DIE CAST ZINC	ZINC PLATE BRIGHT CHROMATE	
ROTATION LIMITER	DIE CAST ZINC	ZINC PLATE BRIGHT CHROMATE	
TOP MOUNTING BRACKET	30% GF NYLON (UL94-V0)	BLACK	
MOUNTING SCREW 25 LONG	STEEL	ZINC PLATE + BRIGHT CHROMATE	
MOUNTING SCREW 14 LONG	STEEL	ZINC PLATE + BRIGHT CHROMATE	
DIN LOCKPLUG	DETAILS ON REQUEST	DETAILS ON REQUEST	OPTIONAL WITHOUT LOCKPLUG
LOCK PLUG RETAINING SCREW	SEE NOTE A	SEE NOTE A	
SHAFT PIN	SAE 30302/30304	PLAIN OILED	
O-RING	BLACK NBR RUBBER	GREASED	
PAWIL SCREW	STEEL	ZINC PLATE + BRIGHT CHROMATE	ORDER SEPARATELY
PAWIL	STEEL	ZINC PLATE + BRIGHT CHROMATE	
EXTENDED ROTATION LIMITER	DIE CAST ZINC	ZINC PLATE + BRIGHT CHROMATE	



PANEL THICKNESS:
1 TO 2.5

PANEL PREPARATIONS



MILLIMETERS

ALL DIMENSIONS WITHOUT TOLERANCES ARE FOR REFERENCE ONLY.