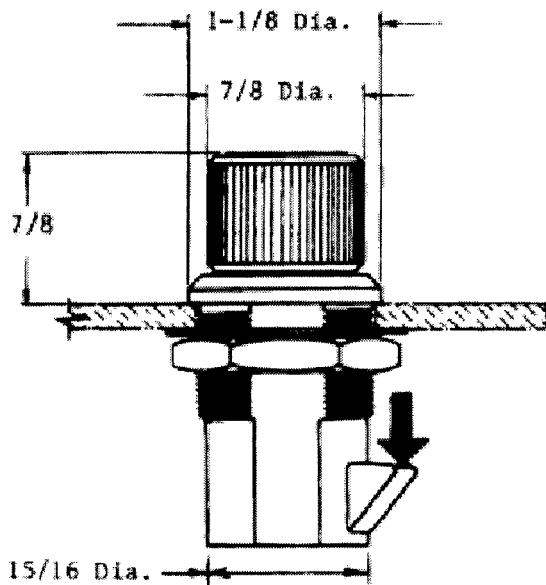


General Performance Guidelines

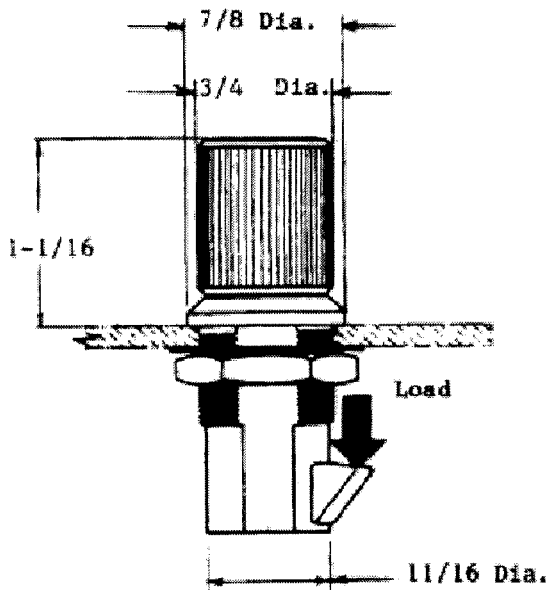
The information shown on this page was determined under one set of test conditions and is supplied as a general guide only, for failure of the product or for sufficient deformation to make the product inoperable. No safety factor has been applied. It is recommended that the user test the product for his particular application.



100 Series

93-10-10X-10

Working Strength : 125 Lbs
Average Ultimate Tensile : 220 Lbs



200 Series

93-10-20X-10

Working Strength : 75 Lbs.
Average Ultimate Tensile : 200 Lbs.

(RE: 93-2 & 93-4)