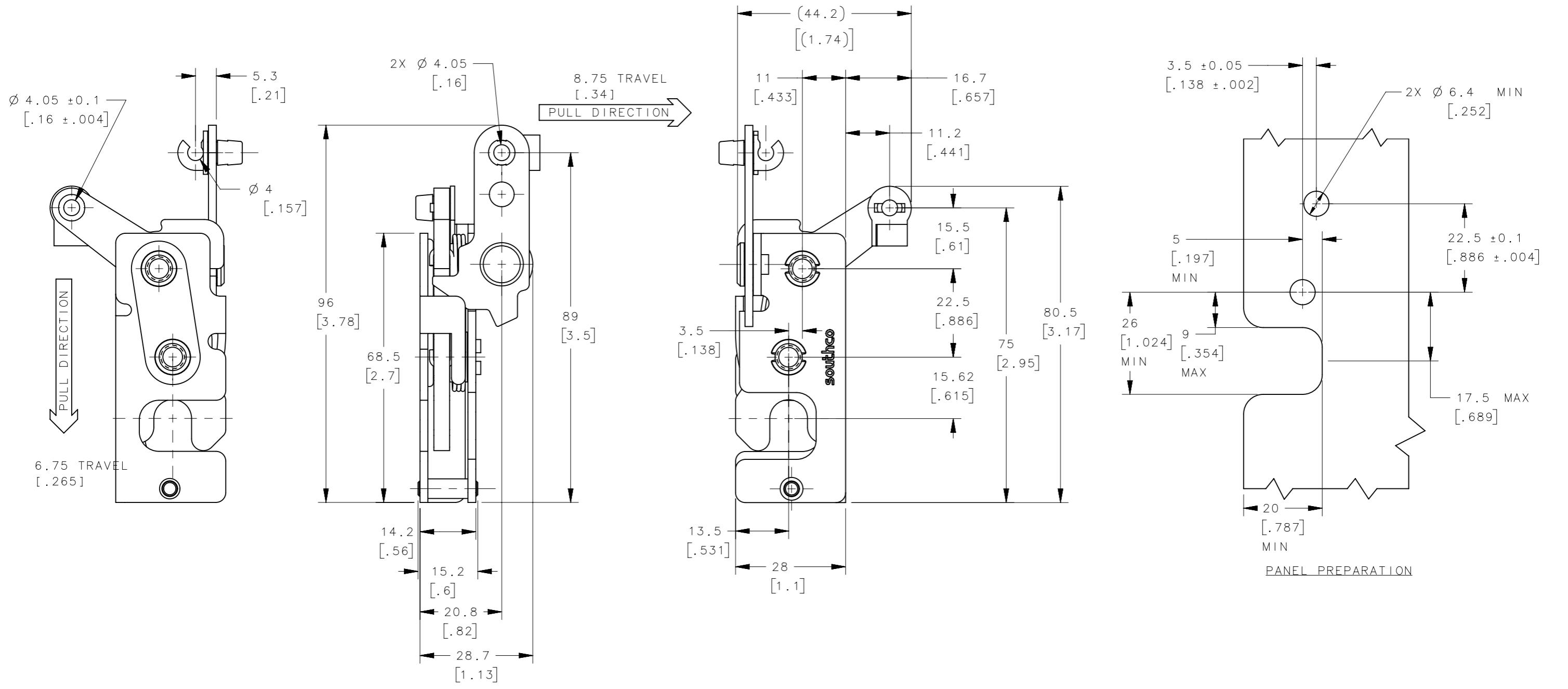


REVISION HISTORY			
REV	DATE	BY	DESCRIPTION
C	20JAN2015	JGG/ACH	PRN: P2015-0365



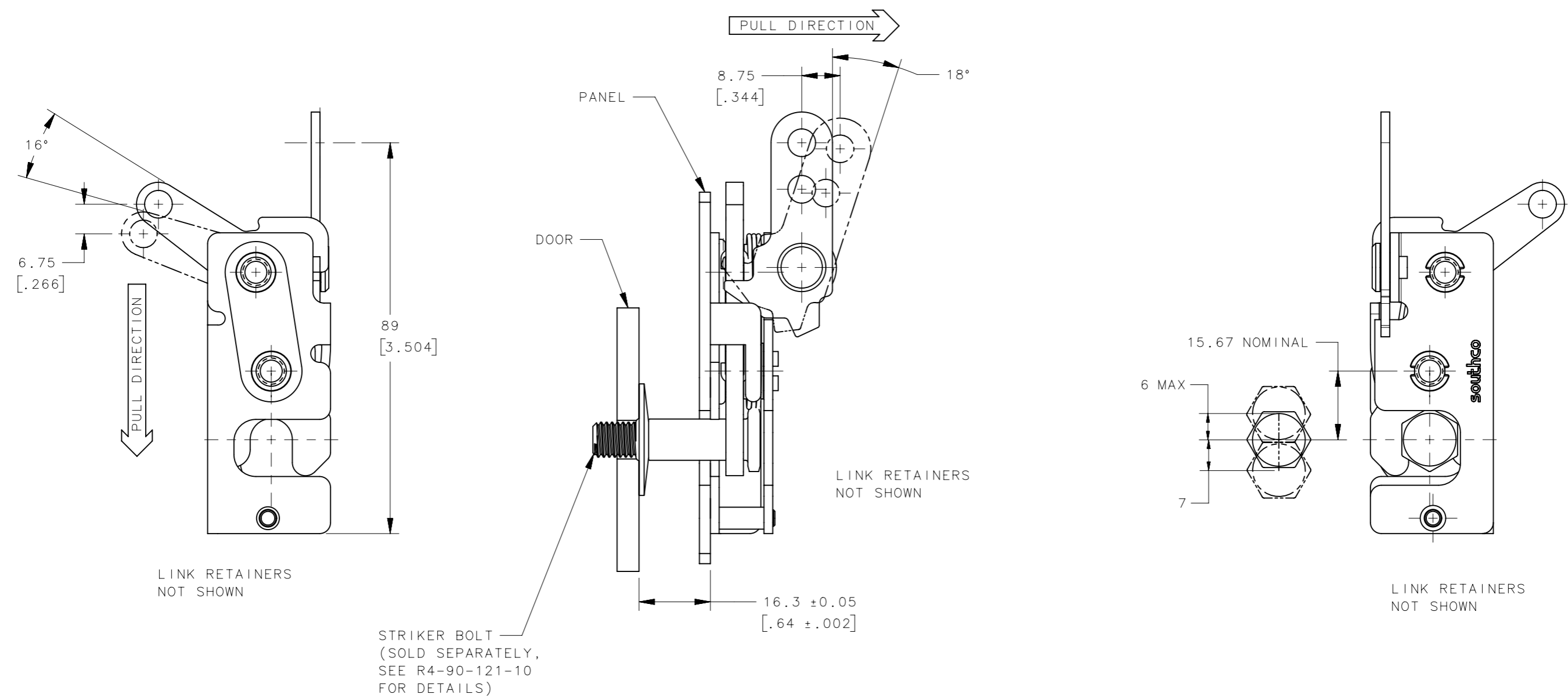
NOTES:

- A. MATERIAL AND FINISH:
- HOUSING, LEVERS, AND INTERNAL COMPONENTS: STEEL, ZINC PLATED, BRIGHT CHROMATE
  - PAWL AND TRIGGER: HARDENED STEEL, ZINC PLATED, BRIGHT CHROMATE.
  - SPRING: STAINLESS STEEL, PASSIVATED
  - LINK RETAINERS: ACETAL, BLACK

B. THESE DIMENSIONS ARE REQUIRED FOR MOUNTING STRIKER BOLT.

R4-10-10-701-10	Ø7.2mm THRU	Ø7.6 [.299]
R4-10-11-701-10	1/4-20 THREAD	Ø6.8 [.268]
R4-10-12-701-10	M6 THREAD	Ø6.4 [.252]
ASSEMBLY PART NUMBER	LATCH MOUNTING HOLE	MINIMUM RECOMMENDED PANEL HOLE
	THIRD ANGLE PROJECTION	
	MILLIMETERS [IN]	
SURFACE AREA	TOLERANCES UNLESS OTHERWISE NOTED	DESCRIPTION
VOLUME	ALL DIMENSIONS WITHOUT TOLERANCES ARE FOR REFERENCE ONLY.	R4 MINI ROTARY LATCH, RIGHT HAND BOTTOM PULL WITH SECONDARY TRIGGER
PROPRIETARY ITEM	PER ASME Y14.5M-1994	SIZE SYSTEM DWG NO.
EXCEPT FOR USES EXPRESSLY GRANTED IN WRITING, INFORMATION DISCLOSED HEREON IS CONFIDENTIAL AND ALL RIGHTS, PATENT AND OTHERWISE, ARE RESERVED BY SOUTHCO, INC.		A3 NX J-R4-10-10-701-10
		DRAWN BY JGG/ACH DATE 15JAN2015 SCALE 1:1 SHEET 1 OF 3

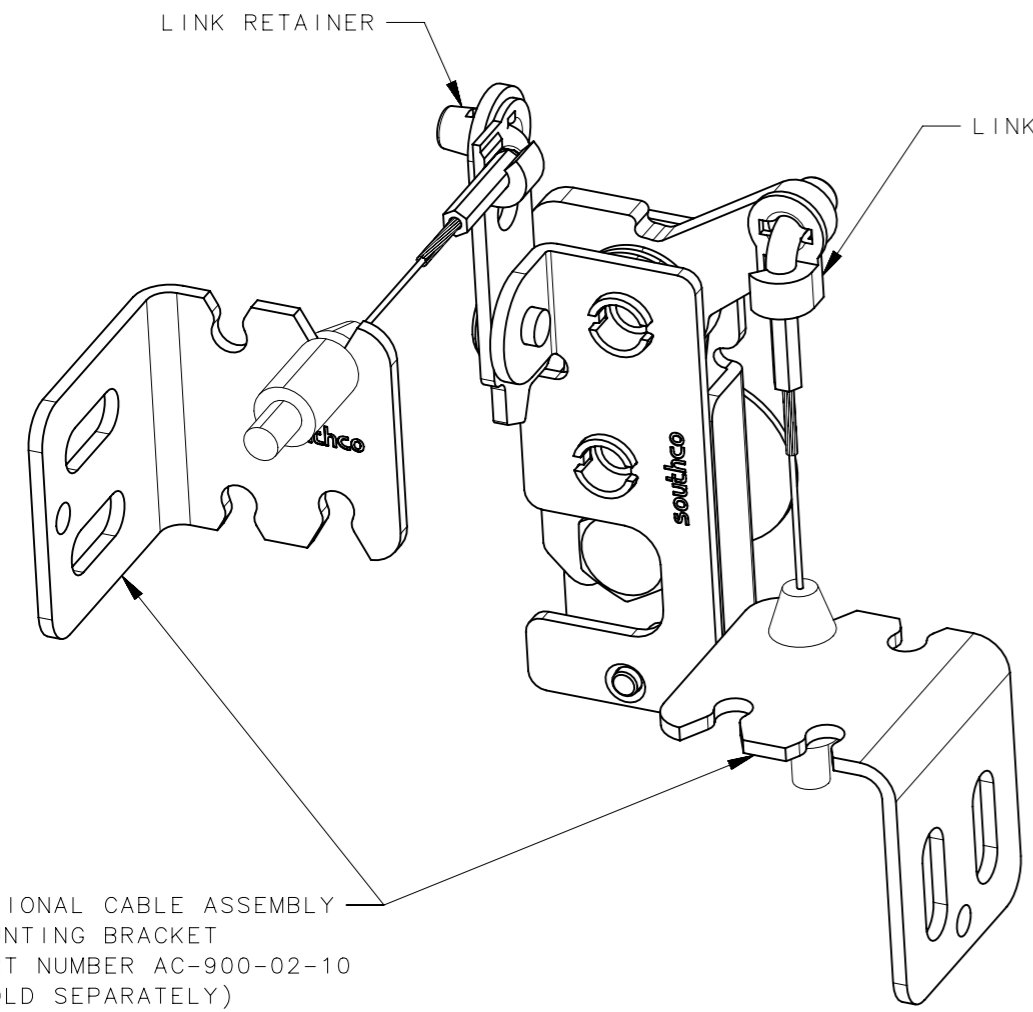
REVISION HISTORY			
REV	DATE	BY	DESCRIPTION
C	20JAN2015	JGG/ACH	PRN: P2015-0365



- NOTES:
- A. THE TOLERANCE BETWEEN THE LATCH AND THE STRIKER BOLT ASSUMES A NON-RIGID DOOR INSTALLATION THAT WILL ALLOW THE DOOR TO MOVE INTO THE NOMINAL POSITION DURING LATCHING, RIGID DOORS MUST HAVE THE STIKER INTALLED PER THE PANEL PREPARATION RECOMMENDATION.
  - B. THE MISALIGNMENT VIEW ASSUMES THE LATCH IS CONNECTED TO A PERFECTLY RIGID DOOR AND HINGE; THEREFORE, THERE IS NO DOOR AND/PR HINGE SLACK ASSOCIATED WITH THESE DIMENSIONS. THE MISALIGNMENT VIEW DOES NOT TAKE FLEXING OF THE STRIKER BOLT INTO ACCOUNT.

R4-10-10-701-10	Ø7.2mm THRU	Ø7.6 [.299]
R4-10-11-701-10	1/4-20 THREAD	Ø6.8 [.268]
R4-10-12-701-10	M6 THREAD	Ø6.4 [.252]
ASSEMBLY PART NUMBER	LATCH MOUNTING HOLE	MINIMUM RECOMMENDED PANEL HOLE
THIRD ANGLE PROJECTION		
MILLIMETERS [IN]		
TOLERANCES UNLESS OTHERWISE NOTED	<b>southco®</b> CONNECT • CREATE • INNOVATE	
DESCRIPTION	R4 MINI ROTARY LATCH, RIGHT HAND BOTTOM PULL WITH SECONDARY TRIGGER	
PROPRIETARY ITEM	SIZE A3	SYSTEM NX
EXCEPT FOR USES EXPRESSLY GRANTED IN WRITING, INFORMATION DISCLOSED HEREON IS CONFIDENTIAL AND ALL RIGHTS, PATENT AND OTHERWISE, ARE RESERVED BY SOUTHCO, INC.	DWG NO. J-R4-10-10-701-10	
PER ASME Y14.5M-1994	DRAWN BY JGG/ACH	DATE 15JAN2015
	SCALE 1:1	SHEET 2 OF 3

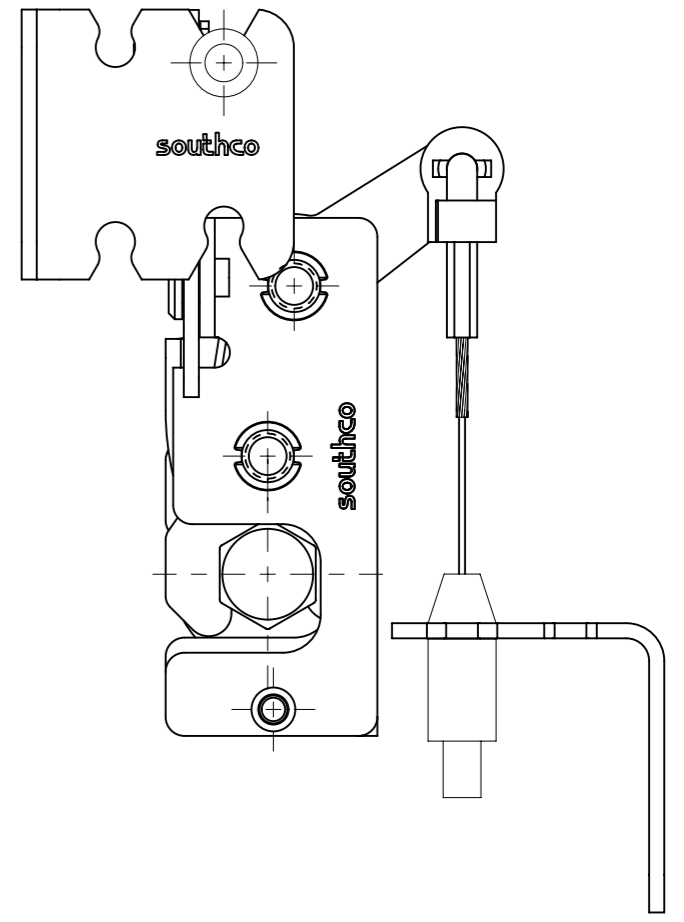
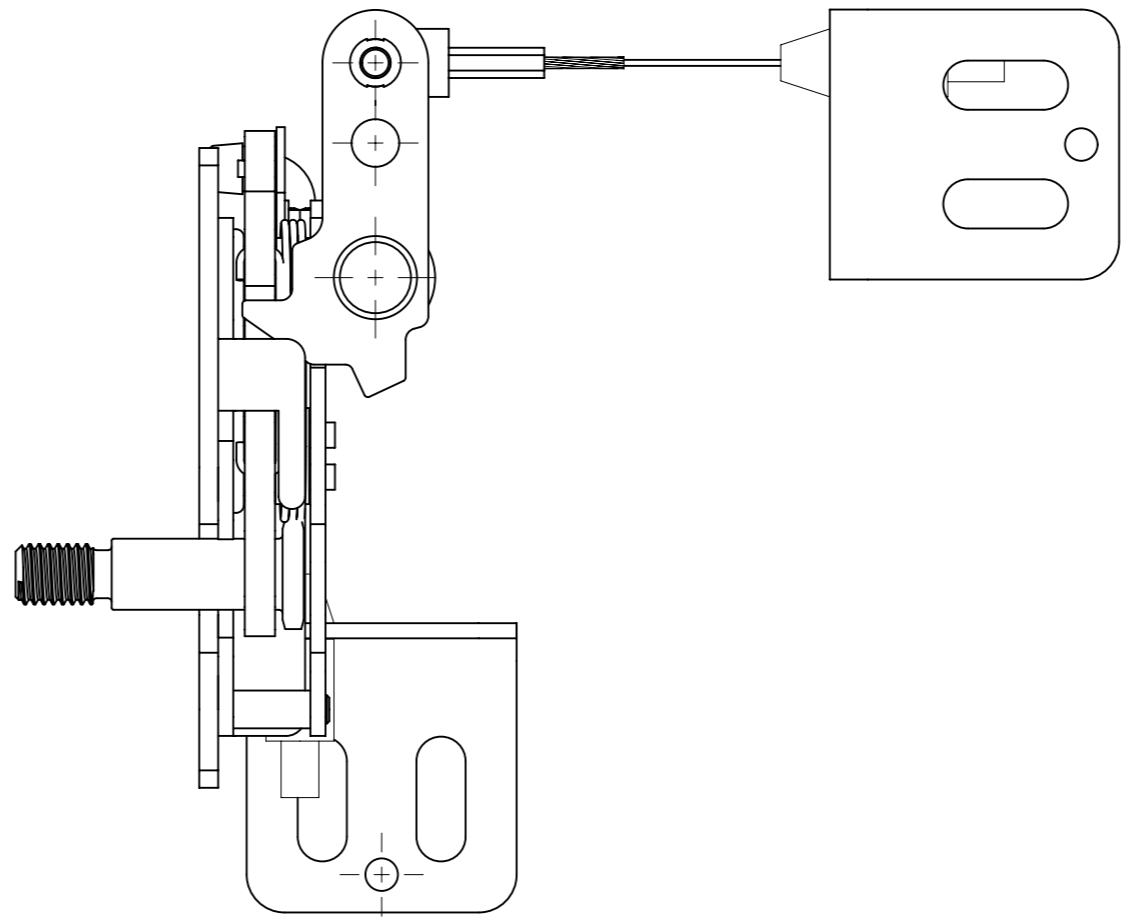
REVISION HISTORY			
REV	DATE	BY	DESCRIPTION
C	20JAN2015	JGG/ACH	PRN: P2015-0365



OPTIONAL CABLE ASSEMBLY MOUNTING BRACKET  
PART NUMBER AC-900-02-10  
(SOLD SEPARATELY)

LINK RETAINER

LINK RETAINER



R4-10-10-701-10	Ø7.2mm THRU	Ø7.6 [.299]
R4-10-11-701-10	1/4-20 THREAD	Ø6.8 [.268]
R4-10-12-701-10	M6 THREAD	Ø6.4 [.252]
ASSEMBLY PART NUMBER	LATCH MOUNTING HOLE	MINIMUM RECOMMENDED PANEL HOLE
THIRD ANGLE PROJECTION		
MILLIMETERS [IN]		
TOLERANCES UNLESS OTHERWISE NOTED	<b>southco®</b> CONNECT • CREATE • INNOVATE	
DESCRIPTION	R4 MINI ROTARY LATCH, RIGHT HAND BOTTOM PULL WITH SECONDARY TRIGGER	
SIZE	SYSTEM	DWG NO.
A3	NX	J-R4-10-10-701-10
PER ASME Y14.5M-1994	DRAWN BY	DATE
	JGG/ACH	15JAN2015
	SCALE	SHEET
	1:1	3 OF 3

D

D

C

C

B

B

A

A

6

5

4

3

2

1

6

5

4

3

2

1