

REV	DATE	DRAWN/CHKD	DESCRIPTION
B	09APR2002	GDM	UPDATE FORMAT

SOUTHCO No.57 SPRING LATCH - 30 SERIES

DATE
7 OCT 74

DRAWN
PEK

CHKD

SCALE
NTS

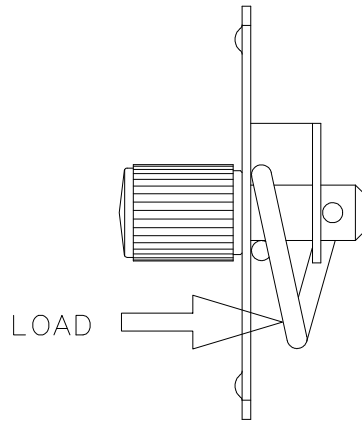
DRAWING NUMBER
TD-57-3



THIRD ANGLE PROJECTION

A
PAPER
SIZE

SOUTHCO PERFORMANCE GUIDELINES
THE PERFORMANCE GUIDELINES SHOWN ON THIS PAGE ARE SUPPLIED AS A GENERAL GUIDE ONLY, AS CONDITIONS VARY WITH EACH APPLICATION AND METHOD OF INSTALLATION. STRENGTH DATA GIVEN IS FOR FAILURE OF THE PRODUCT OR FOR SUFFICIENT DEFORMATION TO MAKE PRODUCT INOPERABLE. NO SAFETY FACTOR HAS BEEN APPLIED IT IS RECOMMENDED THAT THE USER REQUEST A PRODUCT SAMPLE FOR TESTING TO DETERMINE THE SUITABILITY OF THE PRODUCT FOR THE PURPOSE INTENDED AND USER'S PARTICULAR APPLICATION.



No.57 SPRING LATCH - 30 SERIES

"GRIP" OF SPRING (FRAME OR STRIKER THICKNESS)	LOAD APPLIED BY THE SPRING WHEN ENGAGED
1.2 mm (.05 inch)	4.4 N (1.0 LBS)
3.2 mm (.13 inch)	26.7 N (6.0 LBS)
4.8 mm (.19 inch)	40.0 N (9.0 LBS)
6.4 mm (.25 inch)	59.8 N (13 LBS)