

DRAWING NUMBER  
TD-82-7-J

PAPER SIZE  
A

THIRD ANGLE PROJECTION

SCALE  
NTS

CHKD  
ALC/AZ

DATE  
03DEC93

No. 82 LEAF SPRING RECEPTACLE  
FOR RIVETING - WITHOUT BASE

PROPRIETARY ITEM - EXPRESSLY  
GRANTED IN WRITING INFORMATION DISCLOSED  
HEREON IS CONFIDENTIAL AND ALL RIGHTS PATENT  
AND OTHERWISE ARE RESERVED BY SOUTHCO, INC.

DESCRIPTION  
UPDATE FORMAT

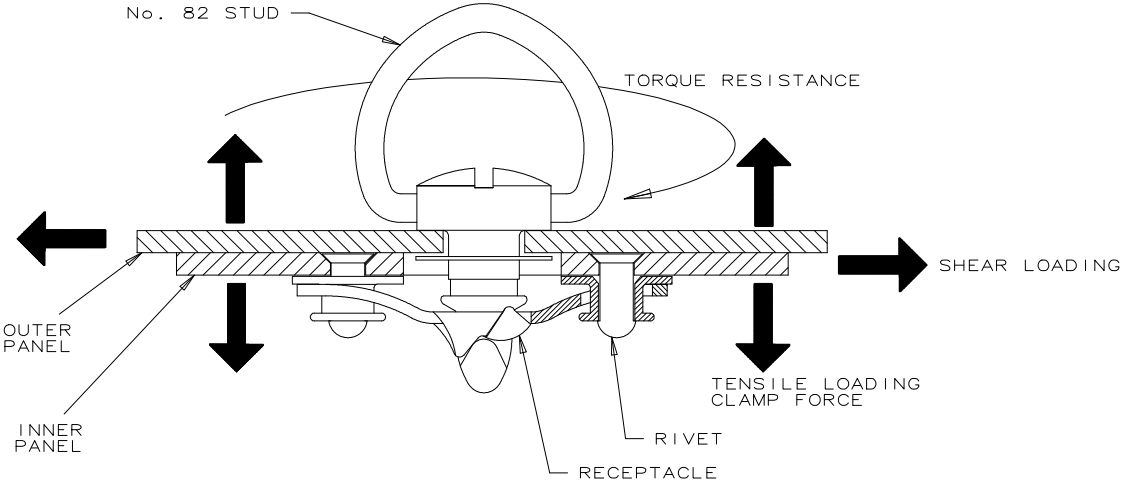
REV  
A

DATE  
09APR2002

DRAWN/CHKD  
GDM

SOUTHCO PERFORMANCE GUIDELINES  
THE PERFORMANCE GUIDELINES SHOWN ON THIS PAGE ARE SUPPLIED AS A GENERAL GUIDE ONLY, AS CONDITIONS VARY WITH EACH APPLICATION AND METHOD OF INSTALLATION. STRENGTH DATA GIVEN IS FOR FAILURE OF THE PRODUCT OR FOR SUFFICIENT DEFORMATION TO MAKE PRODUCT INOPERABLE. NO SAFETY FACTOR HAS BEEN APPLIED IT IS RECOMMENDED THAT THE USER REQUEST A PRODUCT SAMPLE FOR TESTING TO DETERMINE THE SUITABILITY OF THE PRODUCT FOR THE PURPOSE INTENDED AND USER'S PARTICULAR APPLICATION.

ALL STRENGTH RATINGS ARE INDEPENDENT OF HEAD STYLE.



PART NUMBER	82-35-295-15	82-35-295-20
RECEPTACLE MATERIAL	STEEL	STAINLESS STEEL
MAXIMUM RECOMMENDED WORKING TENSILE STRENGTH ①	900 N (200 LBS)	900 N (200 LBS)
AVERAGE ULTIMATE TENSILE STRENGTH ②	2220 N (500 LBS)	1780 N (400 LBS)
CLAMP FORCE ③	156 N (35 LBS)	156 N (35 LBS)
MAXIMUM RECOMMENDED WORKING SHEAR STRENGTH ①	900 N (200 LBS)	900 N (200 LBS)
AVERAGE ULTIMATE SHEAR STRENGTH ②	2670 N (600 LBS)	2670 N (600 LBS)
MAXIMUM TORQUE RESISTANCE ④	3.4 Nm (30 IN-LBS)	2.1 Nm (18 IN-LBS)

- ① WORKING LOAD is the maximum force that the product will withstand without affecting the operation or appearance of the product.
- ② Average ULTIMATE LOAD causes failure of the product or sufficient deformation to make the product inoperable.
- ③ CLAMP FORCE is the force applied to the panel when the assembly is latched at the nominal grip.
- ④ MAXIMUM TORQUE RESISTANCE is the torque that causes the stud to override the receptacle stop.

REF : 82-45