

southco®

PROPRIETARY ITEM - EXCEPT FOR USES EXPRESSLY GRANTED IN WRITING INFORMATION DISCLOSED HEREON IS CONFIDENTIAL AND ALL RIGHTS PATENT AND OTHERWISE ARE RESERVED BY SOUTHCO, INC.


SOUTHCO No. 81 OVAL HEAD STUD

DATE	DRAWN	CHKD	SCALE	DRAWING NUMBER
9-7-73	RHB		5:1	J-81-18-16

REV	DATE	DRAWN/CHKD	DESCRIPTION	PART NUMBER	"U"	"L"	"F"		
F	3-9-82	AJF	PRN: S-1-01: PREVIOUS REVISION DELETED	81-18-040-16	.133	.225	.325		
G	11-2-88	IPB	PRN: 81-90	81-18-060-16	.153	.245	.345		
H	5-31-90	PKE	PRN: 81-107	81-18-080-16	.173	.265	.365		
I	05MAR93	JC	PRN: S-1-03	81-18-100-16	.193	.285	.385		
J	09JUN98	VP	PRN: 61-172	81-18-120-16	.213	.305	.405		
K	17MAY2012	CMS	RSZ PRN: P2012-0653	81-18-140-16	.233	.325	.425		
				81-18-160-16	.253	.345	.445		
				81-18-180-16	.273	.365	.465		
				81-18-200-16	.293	.385	.485		
				81-18-220-16	.313	.405	.505		
				81-18-240-16	.333	.425	.525		
				81-18-260-16	.353	.445	.545		
				81-18-280-16	.373	.465	.565		
				81-18-300-16	.393	.485	.585		
				81-18-320-16	.413	.505	.605		
				81-18-580-16	.673	.765	.865		

INCHES

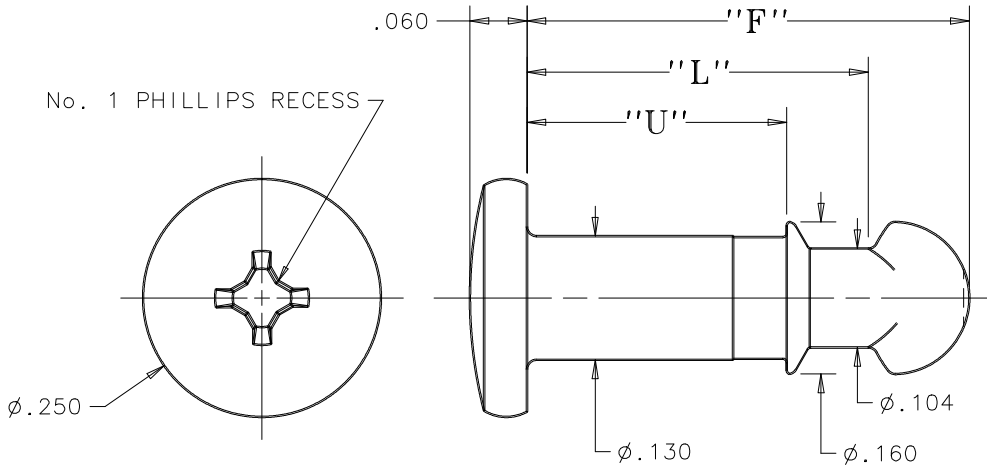
ALL DIMENSIONS WITHOUT TOLERANCES ARE FOR REFERENCE ONLY.



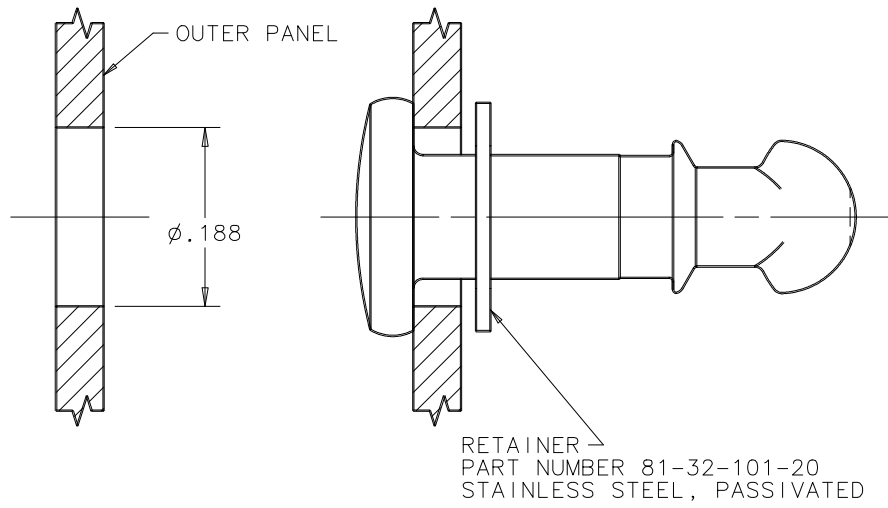
THIRD ANGLE PROJECTION

A PAPER SIZE

- NOTES:
- A. MATERIAL: CASE HARDENED STEEL
 - B. FINISH: ZINC PLATED PLUS TRIVALENT CHROMATE PASSIVATED



INSTALLATION



STEP 1:
PREPARE $\phi .188$ HOLE
IN OUTER PANEL

STEP 1:
INSERT STUD AND
ADD RETAINER