



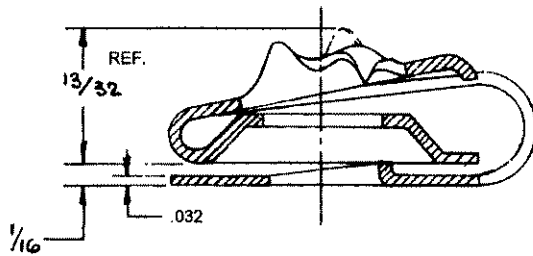
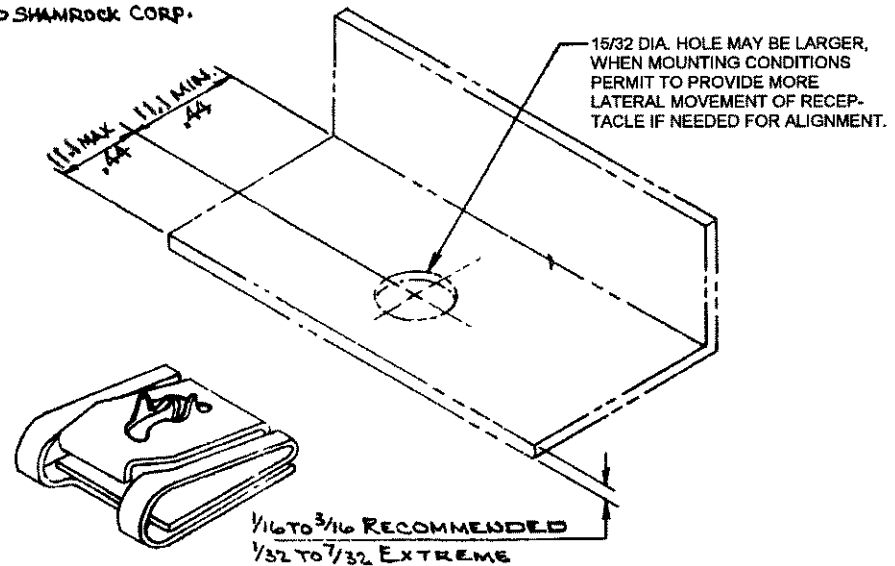
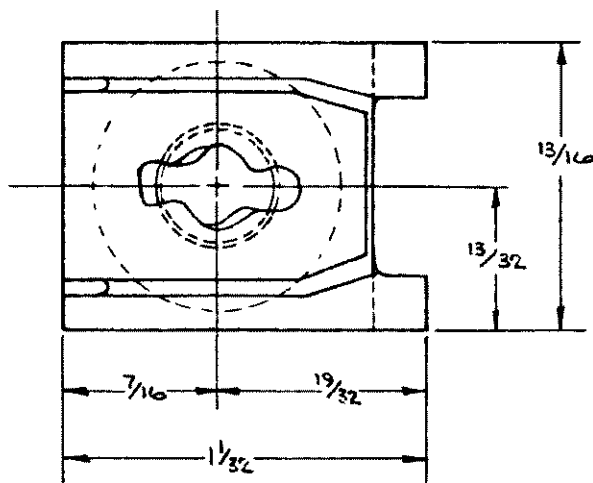
LION No. 5 FASTENER
"U" TYPE CLIP-ON RECEPTACLE

DATE	DRAWN	CHKD	SCALE	DRAWING NUMBER
5-18-61	D.S.T.		N.T.S.	J-85-44

REV. LET.	DATE	BY-CHKD	REVISIONS	PART No.	MATERIAL	FINISH	R.S.	DATE	APP.
M	4/15/80	SLM	1/16 WAS 5/64	85-47-101-15	STEEL	DACROTIZED TM	A		
N	3 10 81	ANL	PRN 85-66	85-47-101-31	STEEL	BLACK PENTRATE	B		
O	2 16 82	ATP	PRN S-1-01				C		
P	3/21/88	JWM	ADDED 'MAX' TO .44 DIM				D		
Q	12JAN93	JC	PRN: S-1-03						

REF. G.M. PART N^o 15701718

TM DIAMOND SHAMROCK CORP.



TO SELECT PROPER STUD LENGTH

TYPE "A" APPLICATION

TO SELECT PROPER STUD FOR APPLICATIONS OF THIS TYPE, ADD THICKNESS OF OUTER PANEL TO THICKNESS OF INNER PANEL, PLUS A CONSTANT OF .037 THE TOTAL EQUALS THE GRIP OF STUD REQUIRED.

TYPE "B" APPLICATION

IF SPACE IS LESS THAN .052 USE STUD SELECTION FOR TYPE "A" APPLICATION.

TO SELECT PROPER STUD FOR APPLICATIONS OF THIS TYPE, ADD THICKNESS OF OUTER PANEL TO THICKNESS OF INNER PANEL, MINUS A CONSTANT OF .015. TOTAL EQUALS THE GRIP OF THE STUD REQUIRED.

PROPRIETARY ITEM - EXCEPT FOR USES EXPRESSLY GRANTED IN WRITING. INFORMATION DISCLOSED HEREON IS CONFIDENTIAL AND ALL RIGHTS, PATENT AND OTHERWISE, ARE RESERVED BY SOUTHCO, INC.

TOLERANCE UNLESS OTHERWISE NOTED
DECIMALS ± .010 FRACTIONS ± 1/32 ANGLES ±

DRAWING NUMBER
J-85-44